

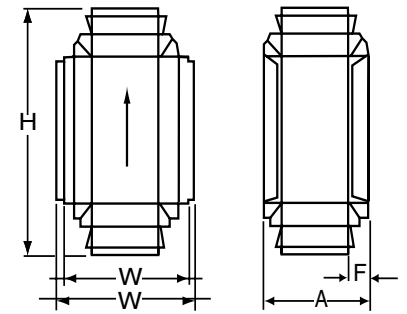
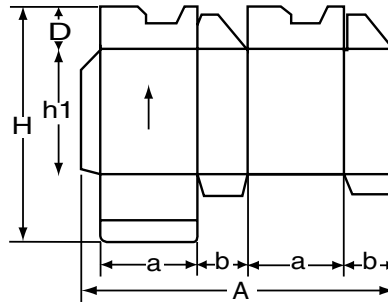
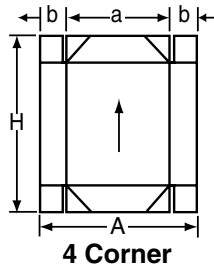
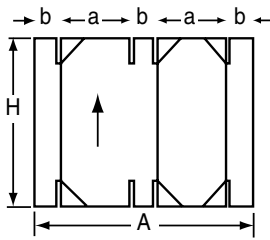
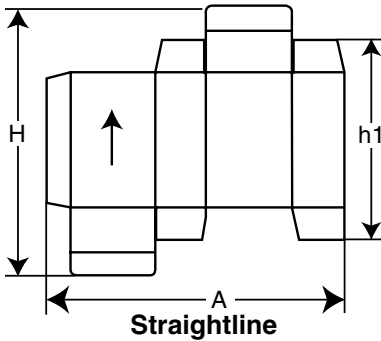


STANDARD PAPER BOX MACHINE CO., INC.

Serving the Converting Industry since 1919



MAX High Speed Folder Gluer Series Specifications



MAX 1300

Straightline Folding Cartons

A	5 7/8" - 51 3/16"	(150mm - 1300mm)
H max	47 1/4"	(1200mm)
h1 min	3"	(75mm)

Lockbottom Cartons

A	8 1/4" - 49 1/4"	(210mm - 1250mm)
H max	47 1/4"	(1200mm)
D max	4 3/8"	(110mm)
h1 min	2 1/2"	(65mm)
b min	1 1/2"	(40mm)

Double Wall Cartons

A	3 1/2" - 31 1/2"	(90mm - 800mm)
H	4 3/4" - 43 3/8"	(120mm - 1100mm)
W1	4" - 47 1/4"	(100mm - 1200mm)
W max	40"	(1000mm)
F min	3/4"	(20mm)

4 Corner Boxes

A	5 7/8" - 47 1/4"	(150mm - 1200mm)
H	5 7/8" - 42 1/8"	(150mm - 1070mm)
a	5 7/8" - 31 1/2"	(150mm - 800mm)
b	1 3/16" - 5 7/8"	(30mm - 150mm)

6 Corner Boxes

A	13 3/4" - 43 3/8"	(350mm - 1100mm)
H	5 7/8" - 42 1/8"	(150mm - 1070mm)
a min	4 3/4"	(120mm)
b	1 3/16" - 5 7/8"	(30mm - 150mm)

Dimensions L 49ft x W 7ft x H 7ft

(15m x 2m x 2m)

Weight 21,500lbs (9,800kg)

MAX 1100

Straightline Folding Cartons

A	5 7/8" - 45 1/4"	(150mm - 1150mm)
H max	40"	(1000mm)
h1 min	3"	(75mm)

Lockbottom Cartons

A	8 1/4" - 45 1/4"	(210mm - 1150mm)
H max	39 3/8"	(1000mm)
D max	4 3/8"	(110 mm)
h1 min	2"	(50mm)
a min	2 1/2"	(65mm)
b min	1 1/2"	(40mm)

Double Wall Cartons

A	3 1/2" - 25 5/8"	(90mm - 650mm)
H	4 3/4" - 31 1/2"	(120mm - 800mm)
W1	4" - 39 3/8"	(100mm - 1000mm)
W max	39 3/8"	(1000mm)
F min	3/4"	(20mm)

4 Corner Boxes

A	5 7/8" - 39 3/8"	(150mm - 1000mm)
H	5 7/8" - 34 1/2"	(150mm - 870mm)
a	5 7/8" - 23 5/8"	(150mm - 600mm)
b	1 3/16" - 5 7/8"	(30mm - 150mm)

6 Corner Boxes

A	13 3/4" - 35 1/2"	(350mm - 900mm)
H	5 7/8" - 34 1/2"	(150mm - 870mm)
a min	4 3/4"	(120mm)
b	1 3/16" - 5 1/2"	(30mm - 140mm)

Dimensions L 48ft x W 6ft x H 7ft

(14.5m x 1.8m x 2m)

Weight 20,000lbs (9,100kg)

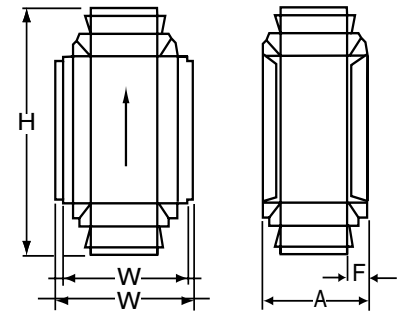
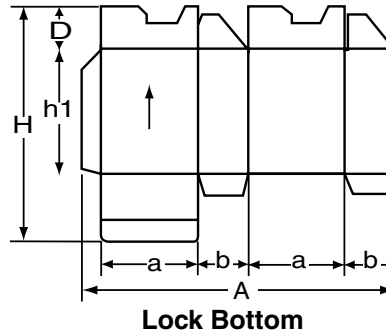
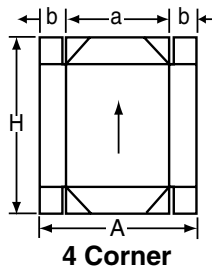
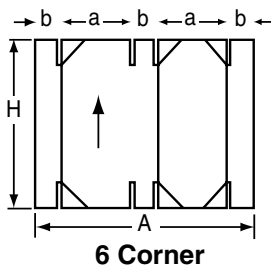
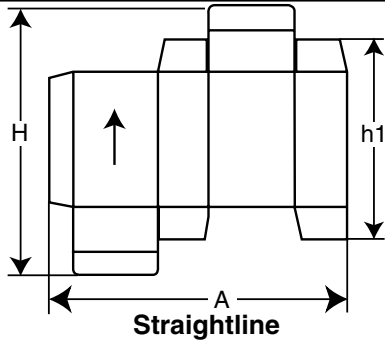


STANDARD PAPER BOX MACHINE CO., INC.

Serving the Converting Industry since 1919



MAX High Speed Folder Gluer Series Specifications



MAX 900

Straightline Folding Cartons

A	4 3/4" - 35 1/2"	(120mm - 900mm)
H max	31 1/2"	(800 mm)
h1 min	3"	(75mm)

Lockbottom Cartons

A	7" - 33 1/2"	(180mm - 850mm)
H max	31 1/2"	(800mm)
D max	4 3/8"	(110mm)
h1 min	2"	(50mm)
a min	2 1/2"	(65mm)
b min	1 1/2"	(40mm)

Double Wall Cartons

A	3 1/2" - 23 5/8"	(90mm - 600mm)
H	4 3/4" - 27 5/8"	(120mm - 700mm)
W1	4" - 31 1/2"	(100mm - 800mm)
W max	31 1/2"	(800mm)
F min	3/4"	(20mm)

4 Corner Boxes

A	5 7/8" - 23 5/8"	(150mm - 600mm)
H	5 7/8" - 31 1/2"	(150mm - 800mm)
a	5 7/8" - 23 5/8"	(150mm - 300mm)
b	1 3/16" - 6"	(30mm - 150mm)

6 Corner Boxes

A	13 3/4" - 23 5/8"	(350mm - 600mm)
H	5 7/8" - 31 1/2"	(150mm - 800mm)
a min	4 3/4"	(120mm)
b	1 3/16" - 5 1/2"	(30mm - 140mm)

Dimensions L 46ft x W 5ft x H 7ft
(14m x 1.6m x 2m)

Weight 19,000lbs (8,700kg)

MAX 600

Straightline Folding Cartons

A	3 1/8" - 23 5/8"	(80mm - 600mm)
H max	31 1/2"	(800mm)
h1 min	2 9/16"	(65mm)

Lockbottom Cartons

A	8 1/4" - 21 5/8"	(210mm - 550mm)
H max	23 5/8"	(800mm)
D max	3 1/8"	(80mm)
h1 min	2 3/8"	(60mm)
b min	1 3/16"	(30mm)

Double Wall Cartons

A	3 1/2" - 11 7/8"	(90mm - 300mm)
H	4 3/4" - 13 3/4"	(120mm - 350mm)
W1	4" - 13 3/4"	(100mm - 350mm)
W max	13 3/4"	(350mm)
F min	3/4"	(20mm)

Dimensions L 34ft x W 4ft x H 7ft
(10.2m x 1.1m x 2m)

Weight 10,000lbs (4,500kg)

MAX Folder Gluer Options

- Bar Code Readers
- Glue Line Detectors
- Various Electronic Glue Gun Systems
- Sciving Attachment
- Custom made attachments for special folding and gluing jobs.